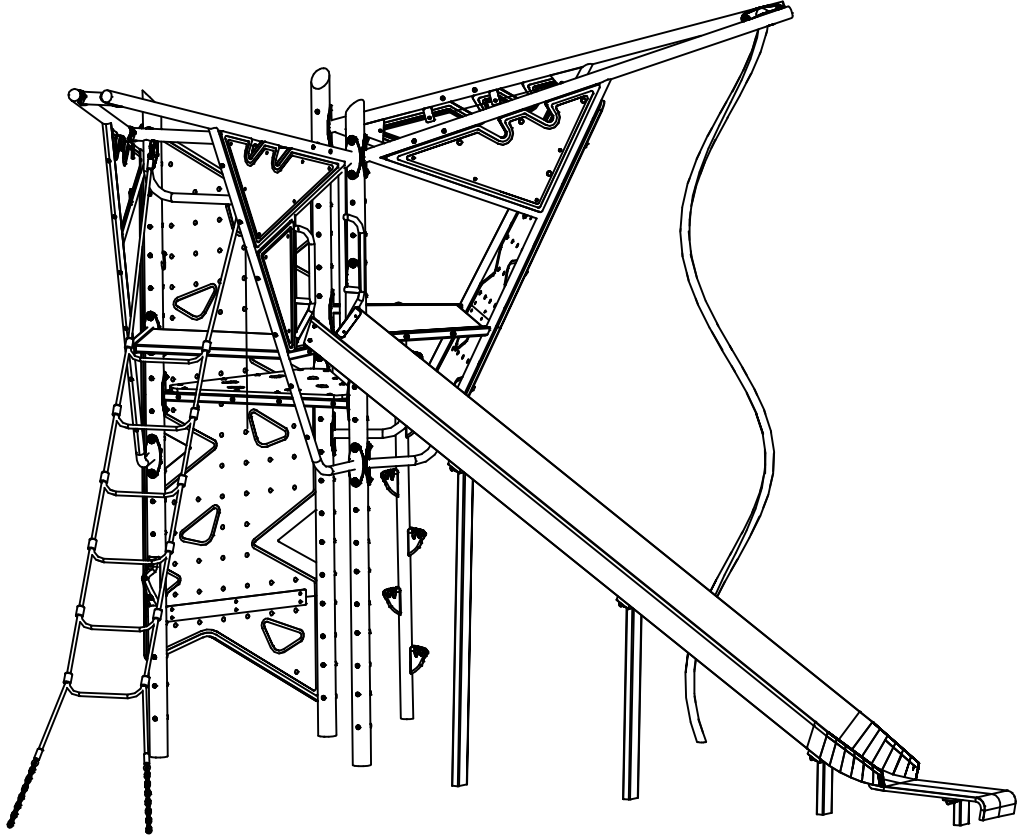
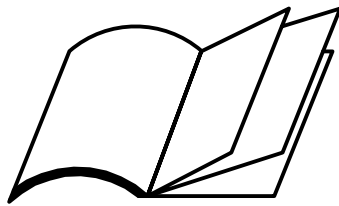


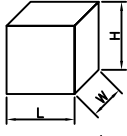
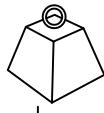
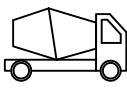
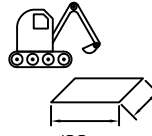
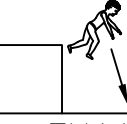

HAGS

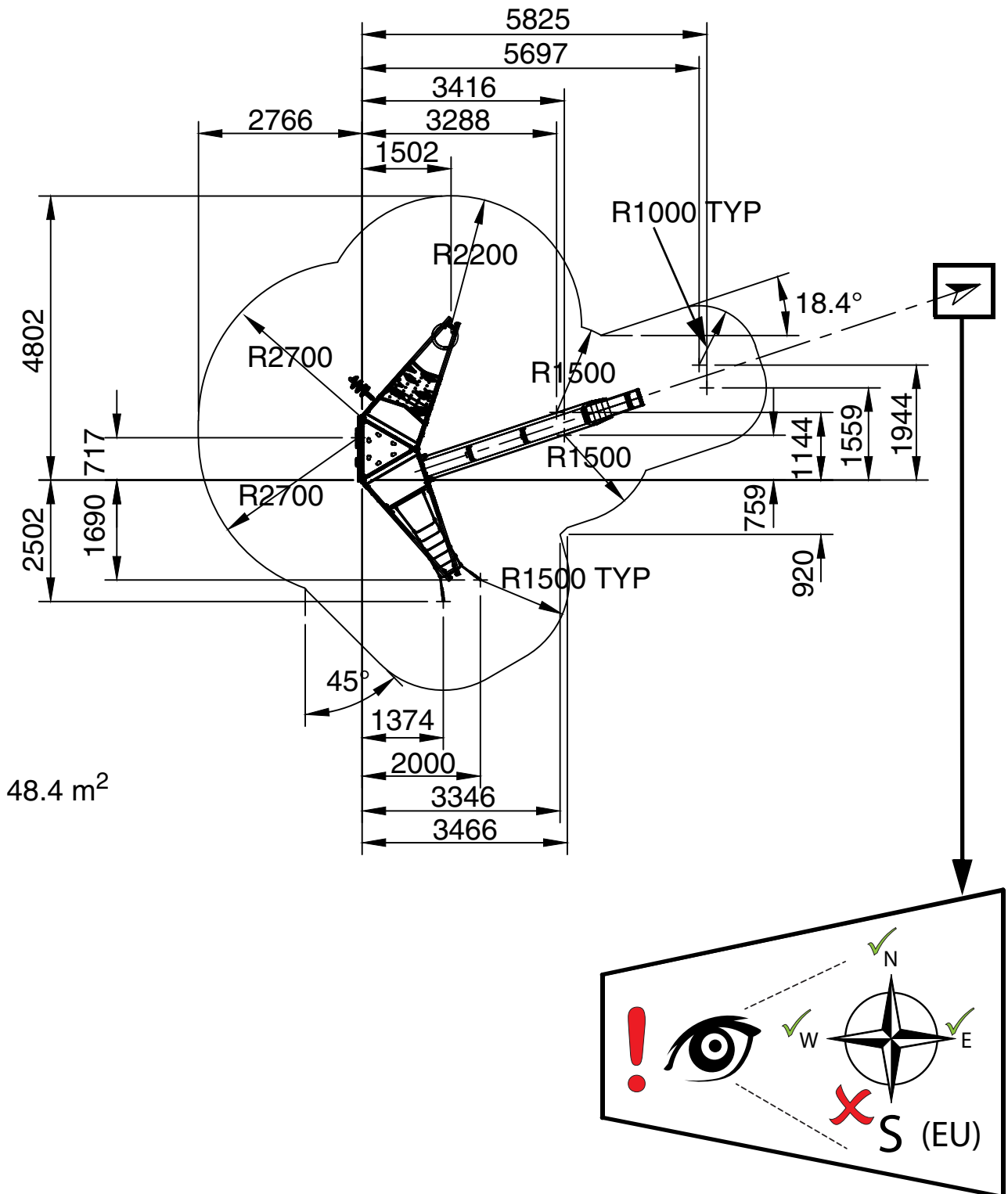
NEXUS ALTITUDE NXA-03S



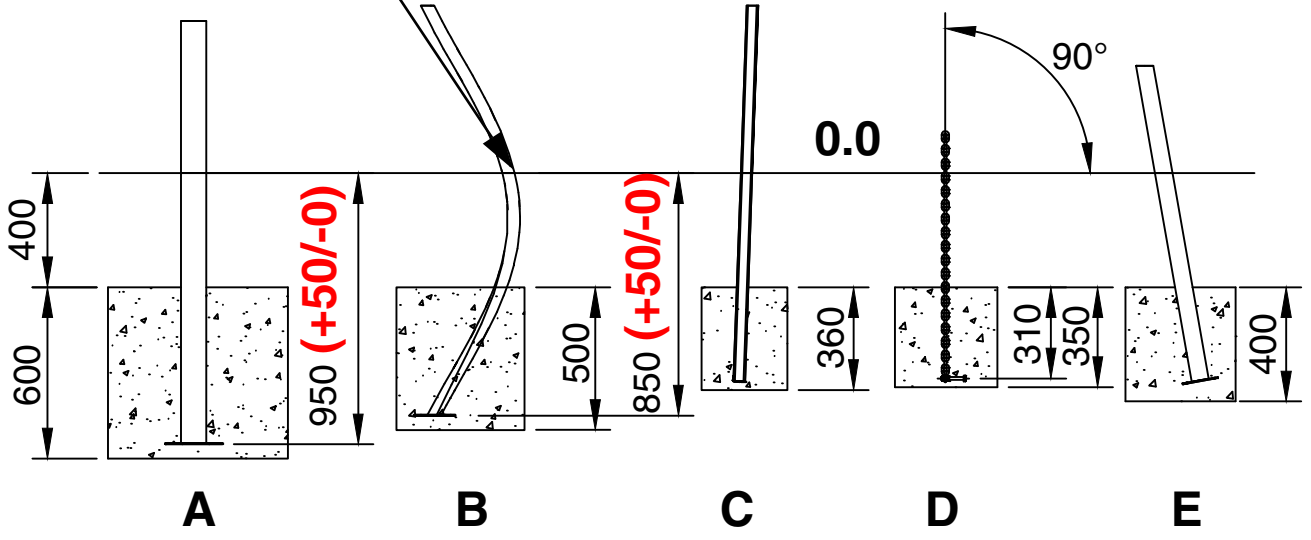
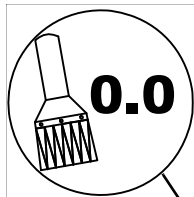
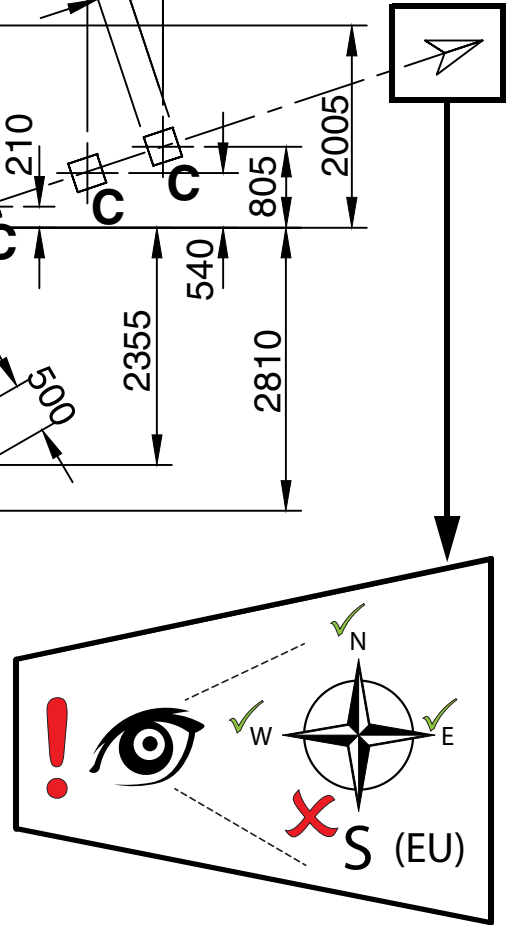
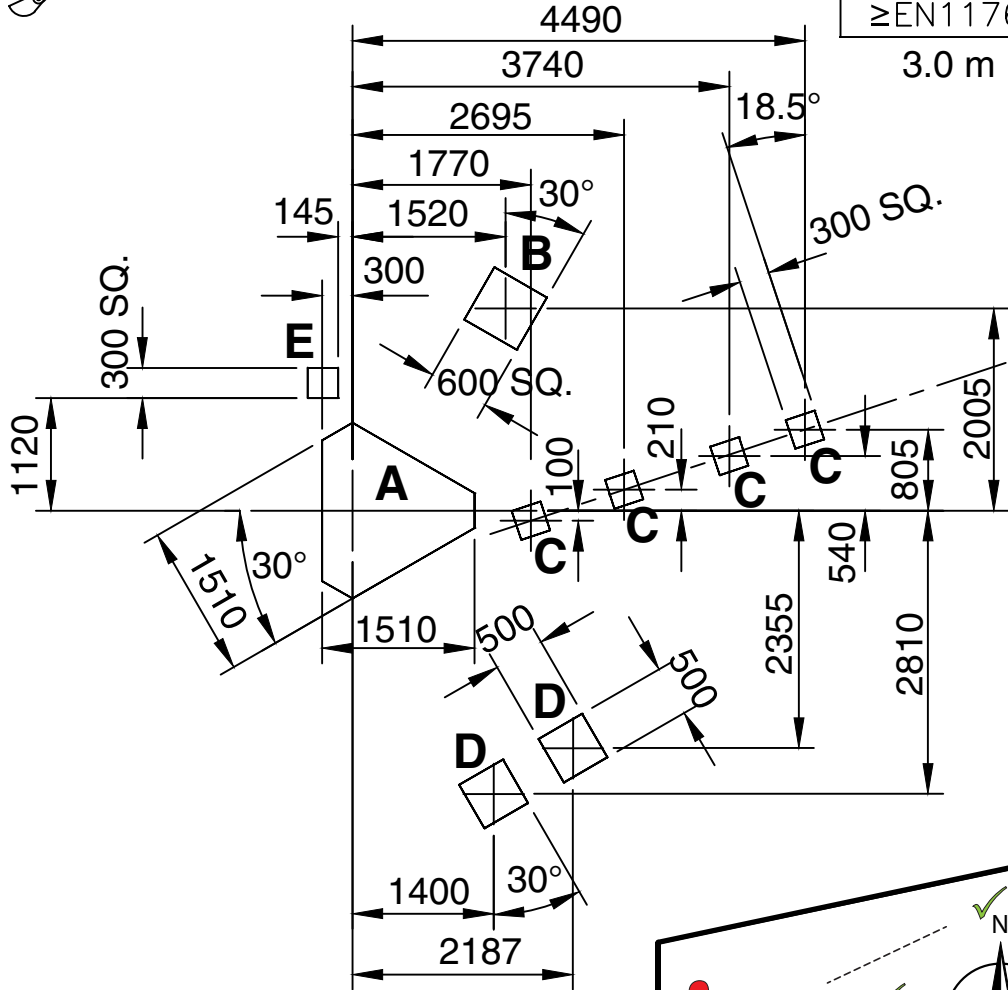
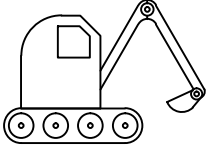
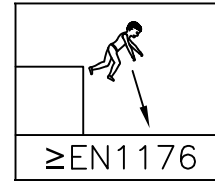


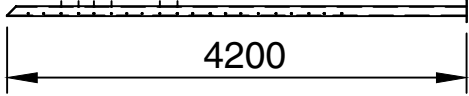
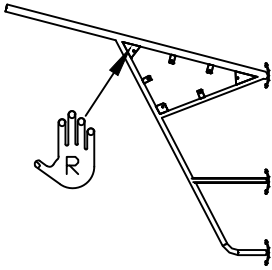
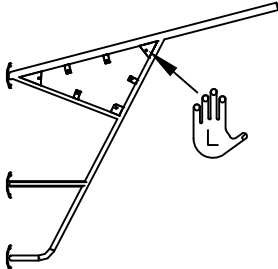
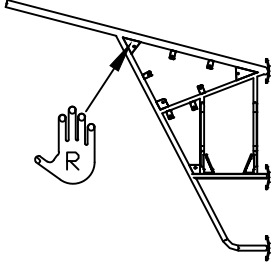
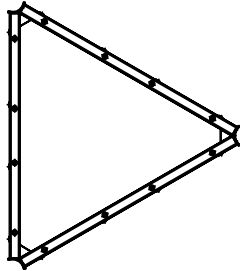
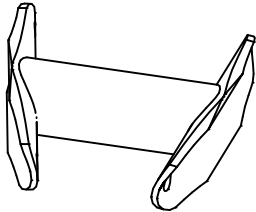
Section 1:

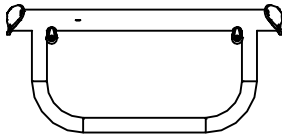
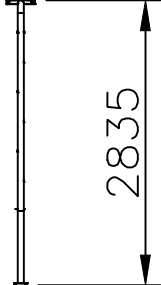
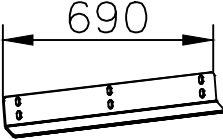
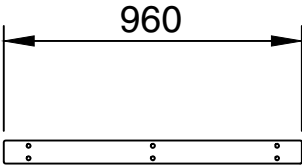
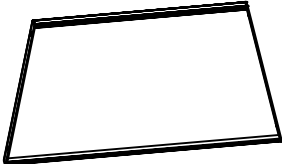
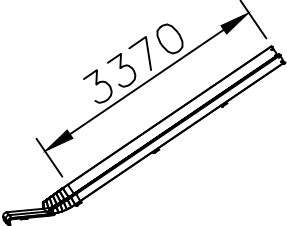


	 LxWxH (m)	 kg	 m ³	 m	 ≥EN1176	 x 2 = T
NXA-03S	4.99 x 4.82 x 3.57	550.0	1.56	11.0 x 10.0	3.0m	T = 20h



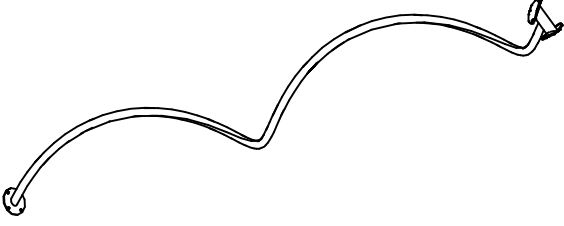
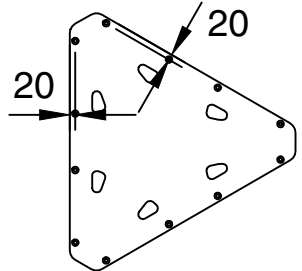
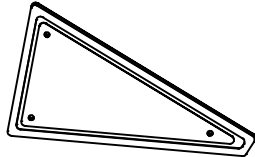
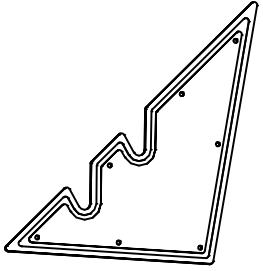
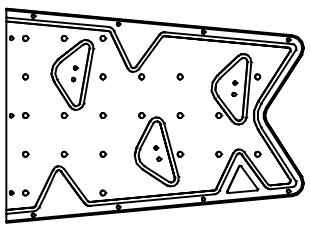


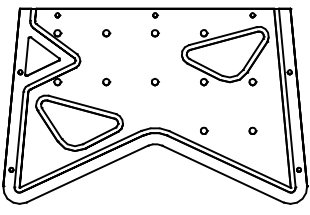
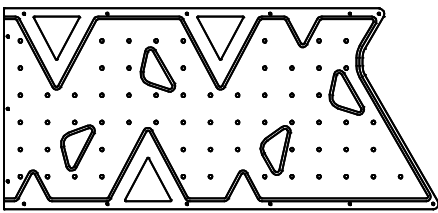
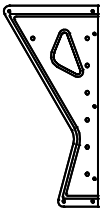
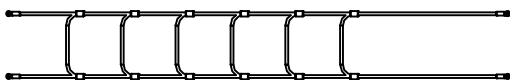

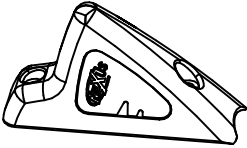

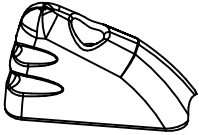
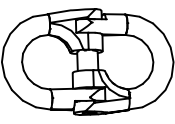
TYPE 1/2 & 3

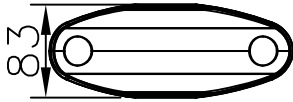
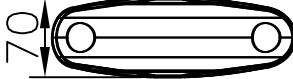
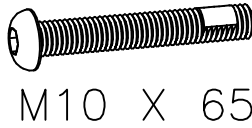
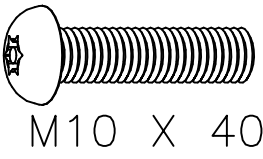
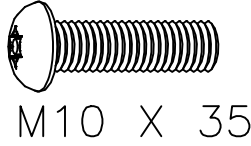
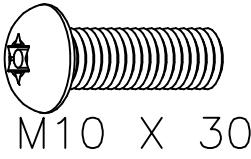
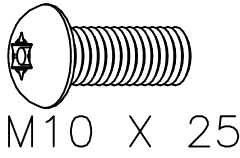
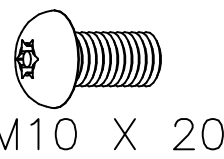
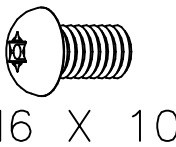
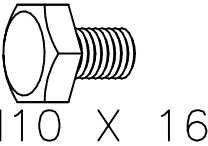


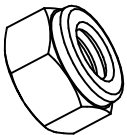
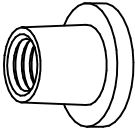
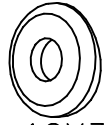
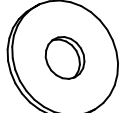
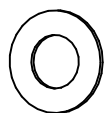
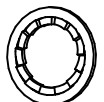
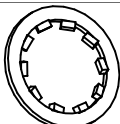
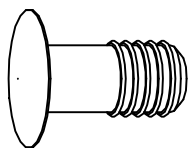
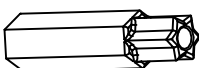
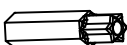
ITEM	REF	NXA-03S	QTY	kg
1	92003001		3	49.00
2	92003005		1	24.00
3	92003010		2	24.00
4	92003015		1	31.00
5	91010030		1	11.00
6	91070010		1	2.00

ITEM	REF	NXA-03S	QTY	kg
7	92003020		1	7.00
8	91050230		1	15.00
9	91070240		1	3.20
10	92003025		1	2.50
11	91070410		2	16.5
12	45032100		1	47.00
13	70032701		1	4.50
14	45039001		1	5.80

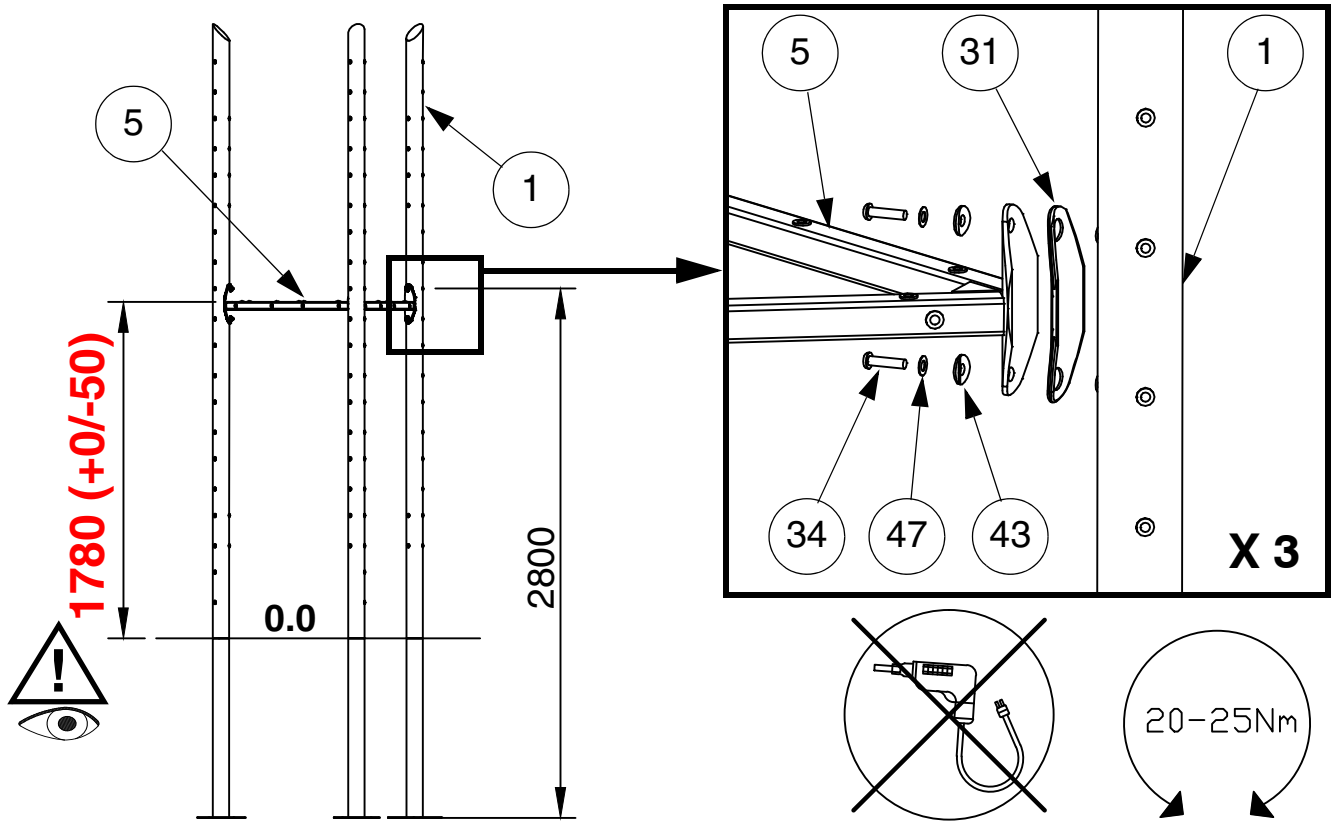
ITEM	REF	NXA-03S	QTY	kg
15	45039003		1	10.50
16	45039005		1	13.10
17	92004005		1	20.00
18	91010040		1	8.00
19	92002025		1	2.00
20	92002020		4	4.80
21	92002010		1	14.30

ITEM	REF	NXA-03S	QTY	kg
22	92002015		1	7.80
23	92002001		1	43.00
24	92002005		1	5.30
25	92006001		1	5.80
26	38008027		2	1.50
27	92004010		1	0.75
28	91070241		10	0.42
29	92004020		7	0.40
30	15715000		4	0.10

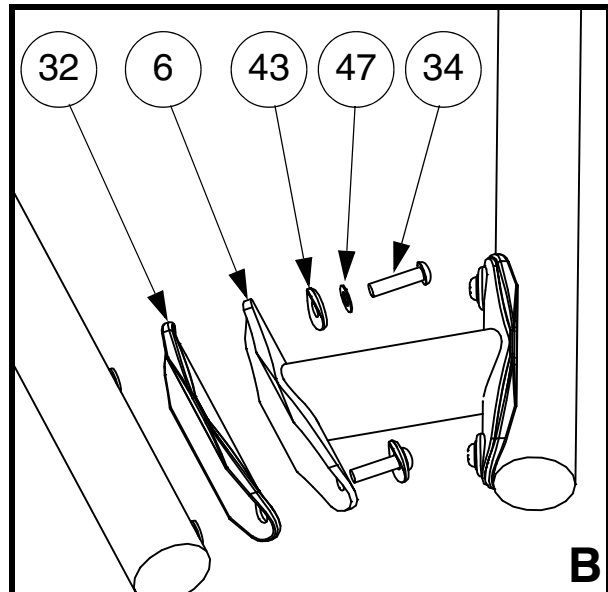
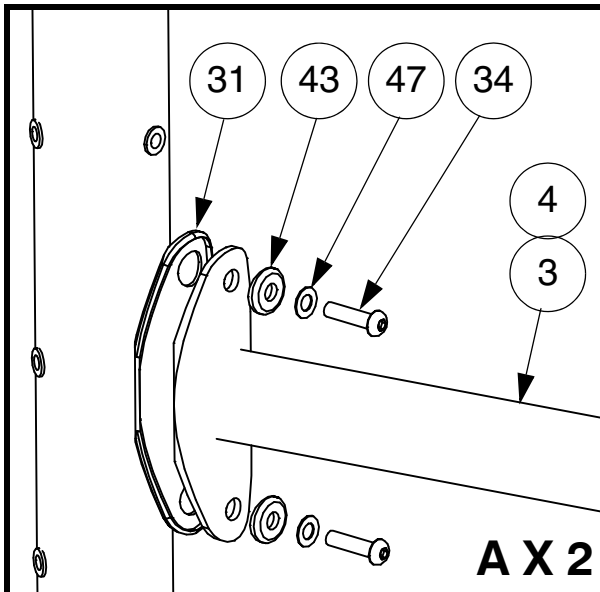
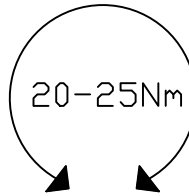
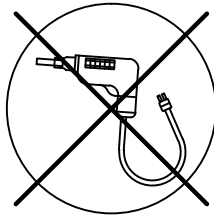
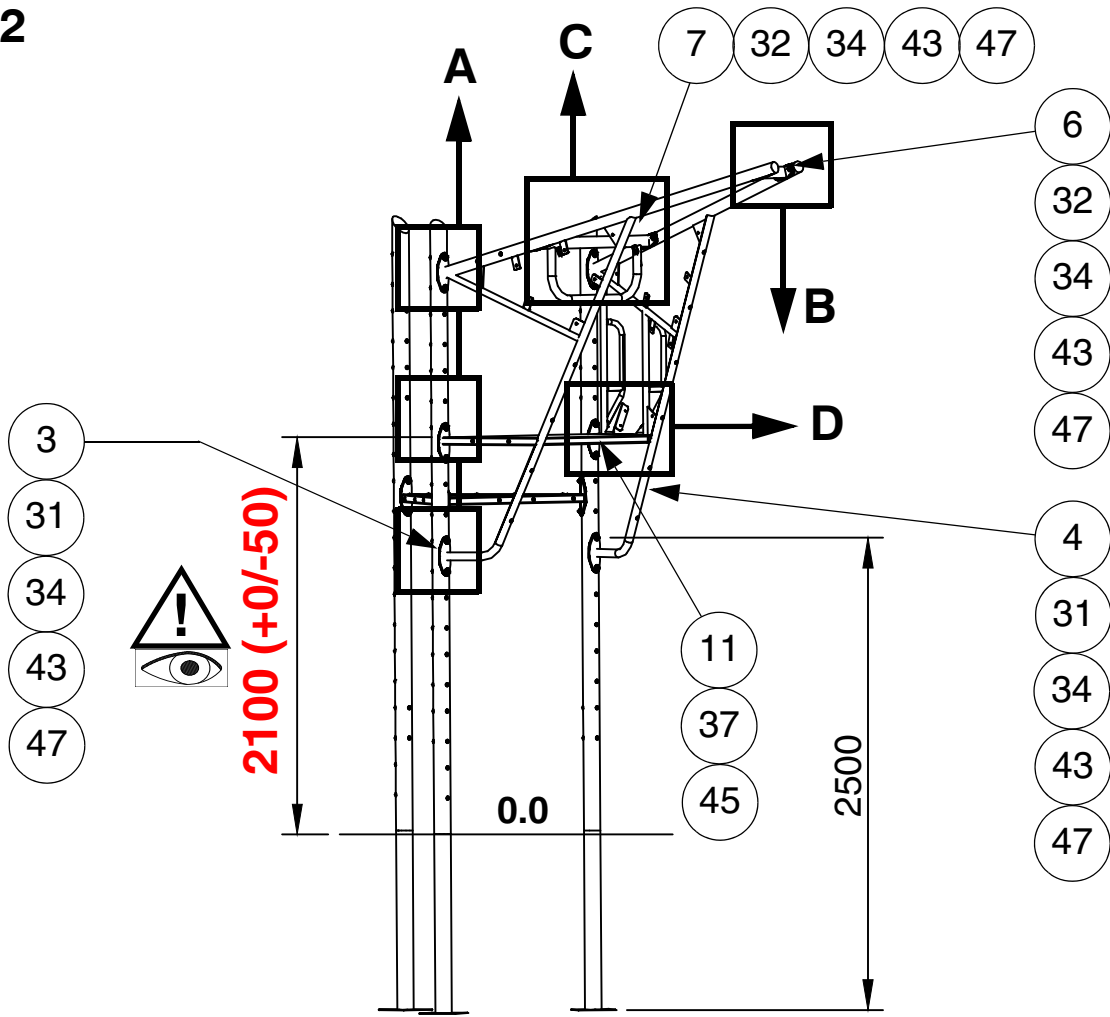
ITEM	REF	NXA-03S	QTY	kg
31	19023802		15	0.05
32	19023803		6	0.05
33	10121065	 M10 X 65	9	0.050
34	10121040	 M10 X 40	70	0.037
35	10121035	 M10 X 35	32	0.032
36	10121030	 M10 X 30	2	0.028
37	10121025	 M10 X 25	39	0.024
38	10121020	 M10 X 20	12	0.020
39	10120610	 M6 X 10	4	0.004
40	10251016	 M10 X 16	8	0.020

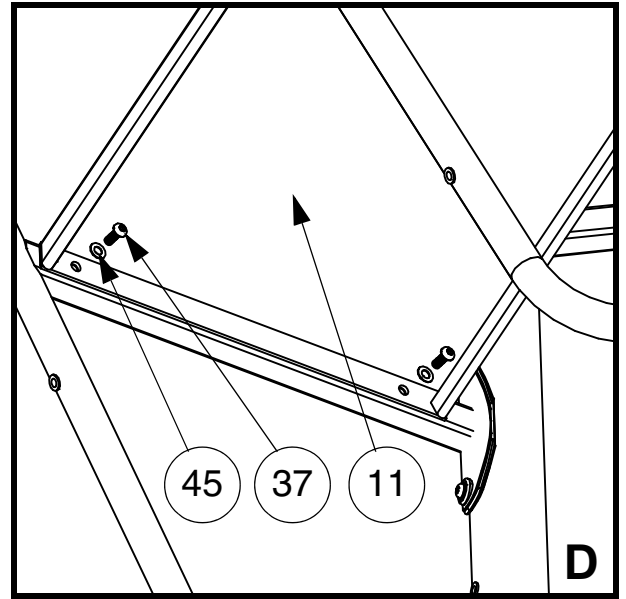
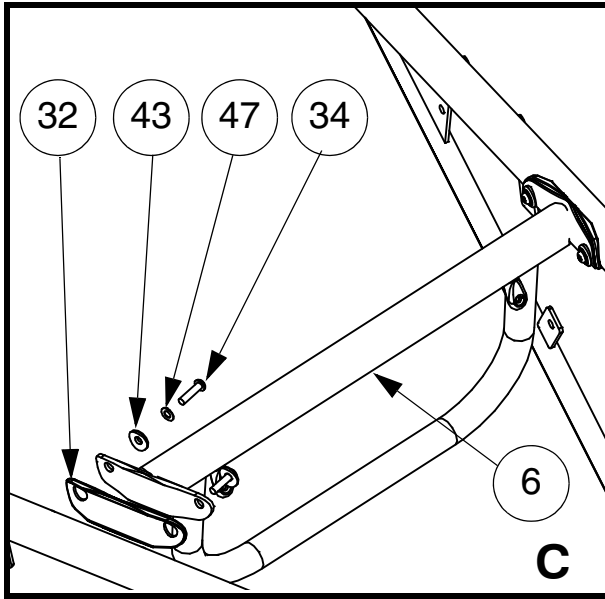
ITEM	REF	NXA-03S	QTY	kg
41	10260600	 M6	4	0.002
42	10931000	 M10	63	0.020
43	38001019	 M10 12X32X6.5	42	0.002
44	10309999	 M10 11X30X2.5	6	0.011
45	10291000	 M10 11X21X1	93	0.002
46	10301200	 M12 13X20X1	63	0.002
47	10301000	 M10 12X18X1	71	0.001
48	19024501		162	0.001
49	10121000	 T45 M10	2	-
50	10120600	 T30 M6	1	-

STEP 1

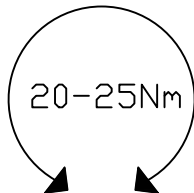
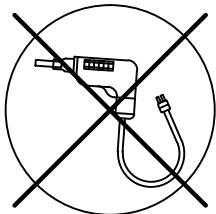
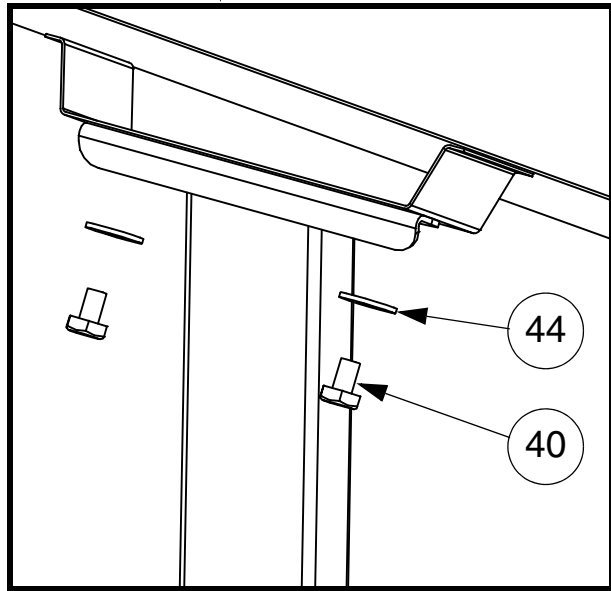
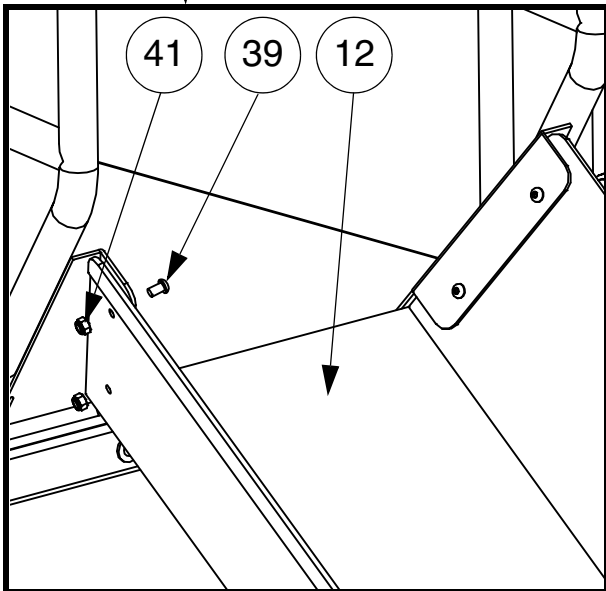
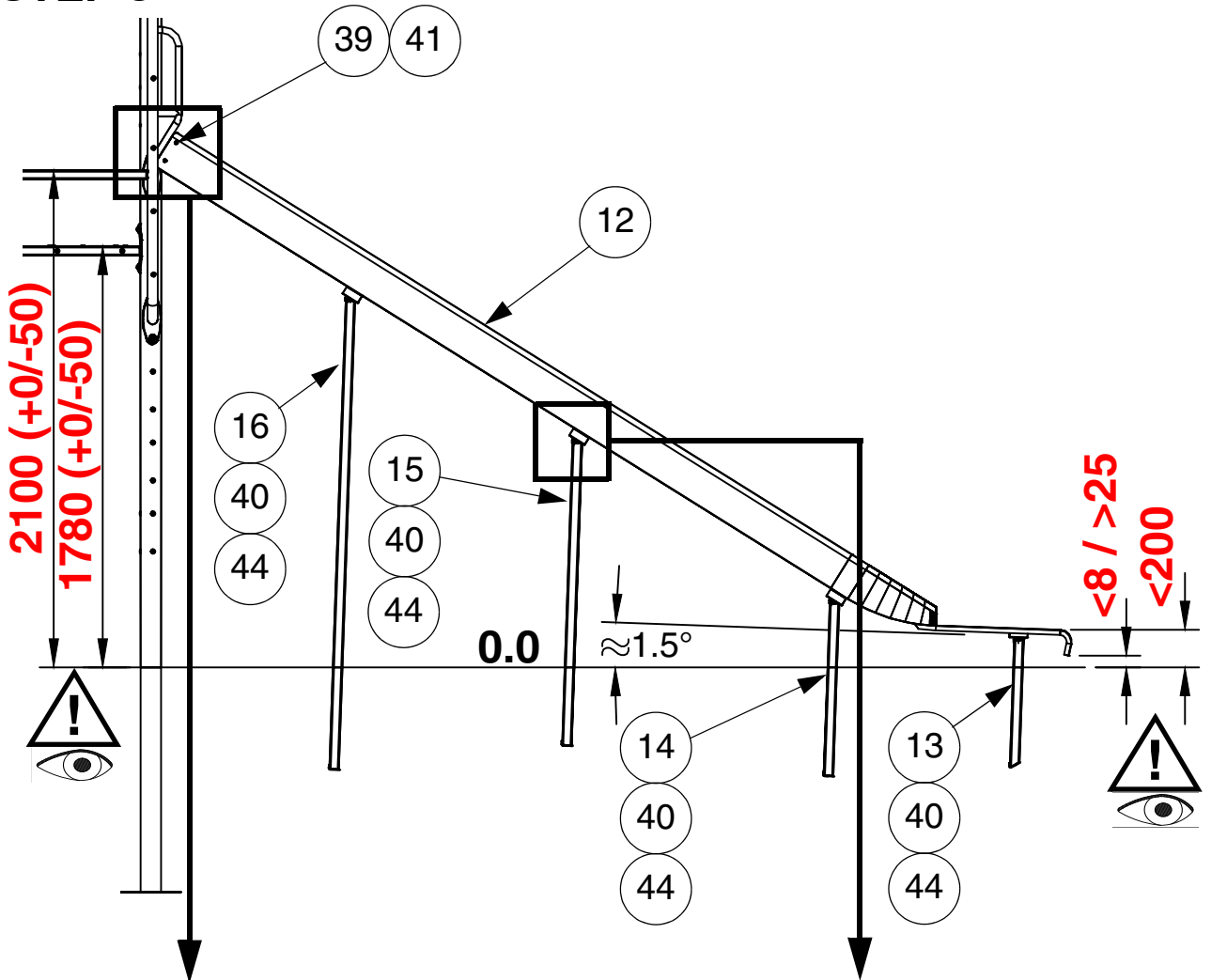


STEP 2

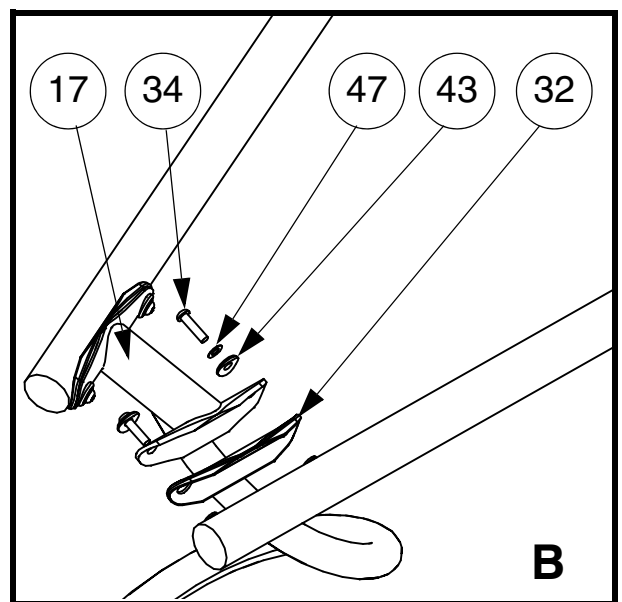
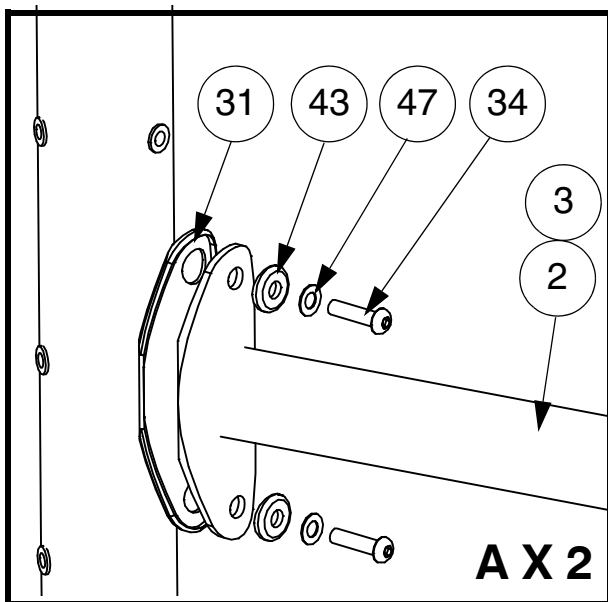
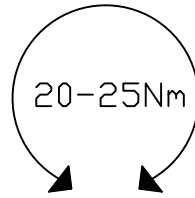
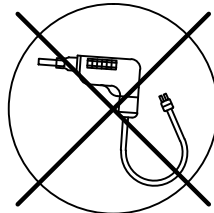
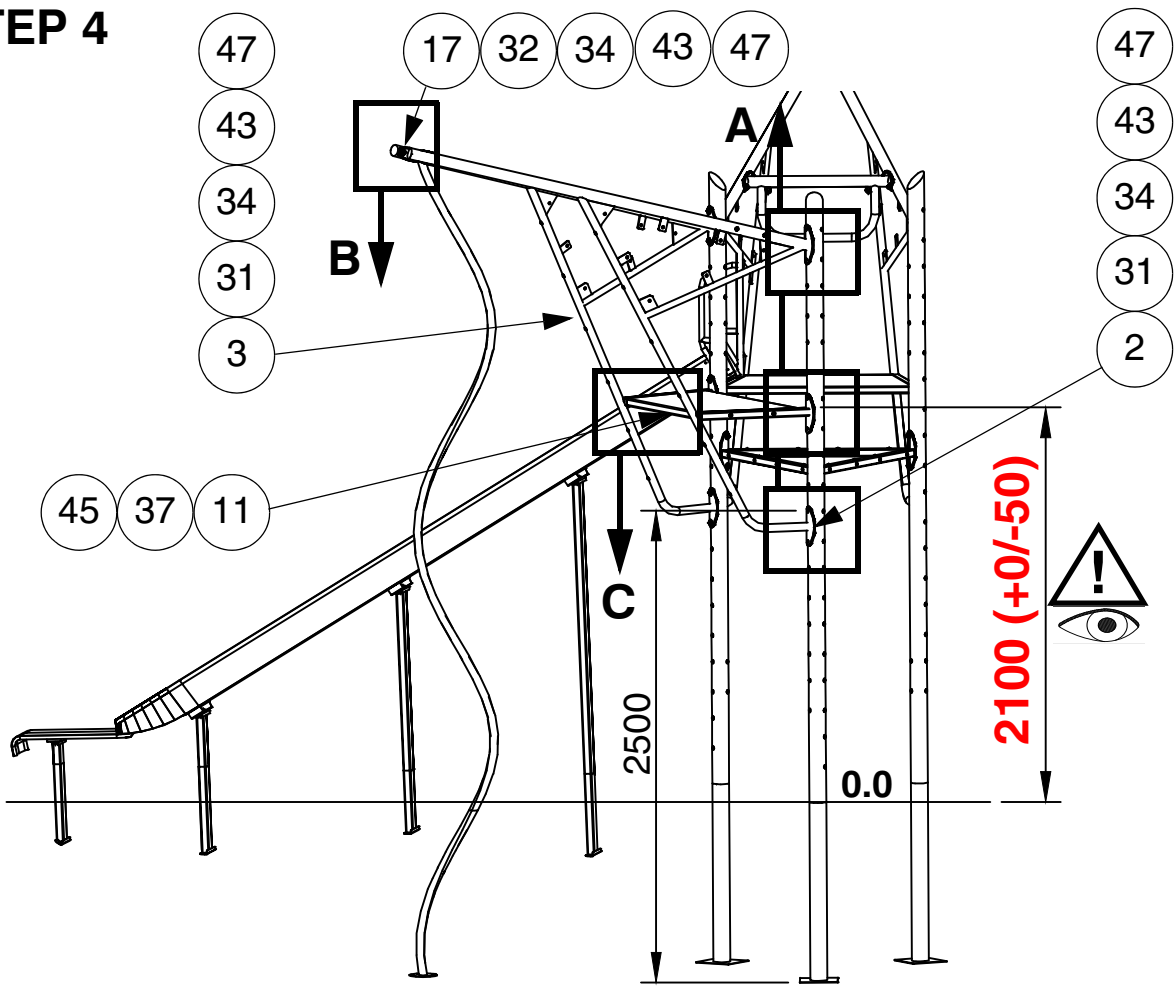


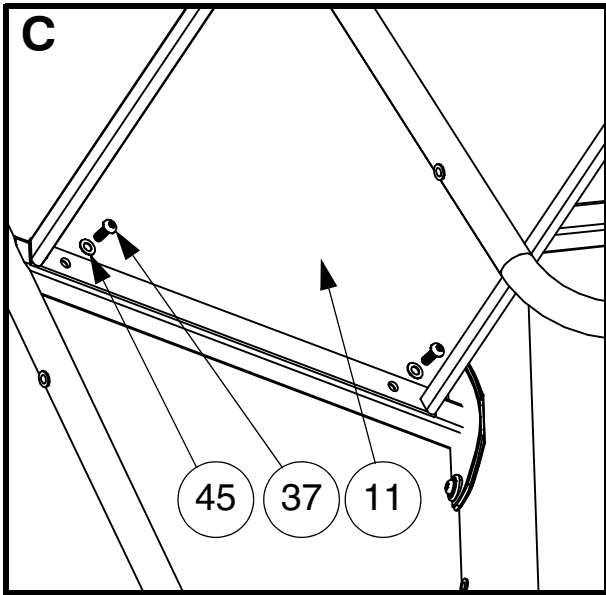


STEP 3

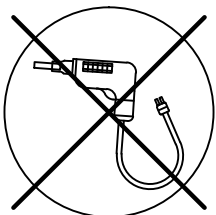
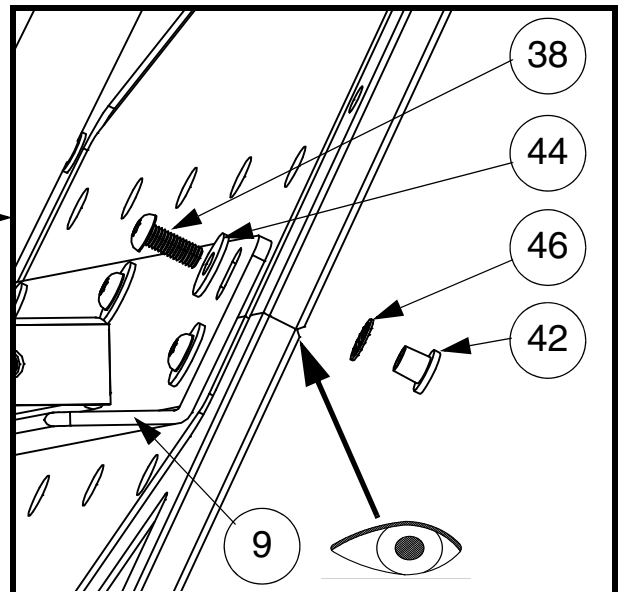
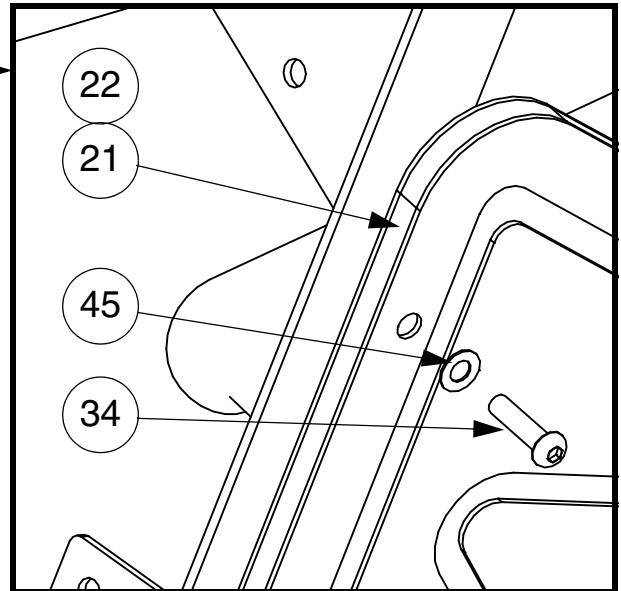
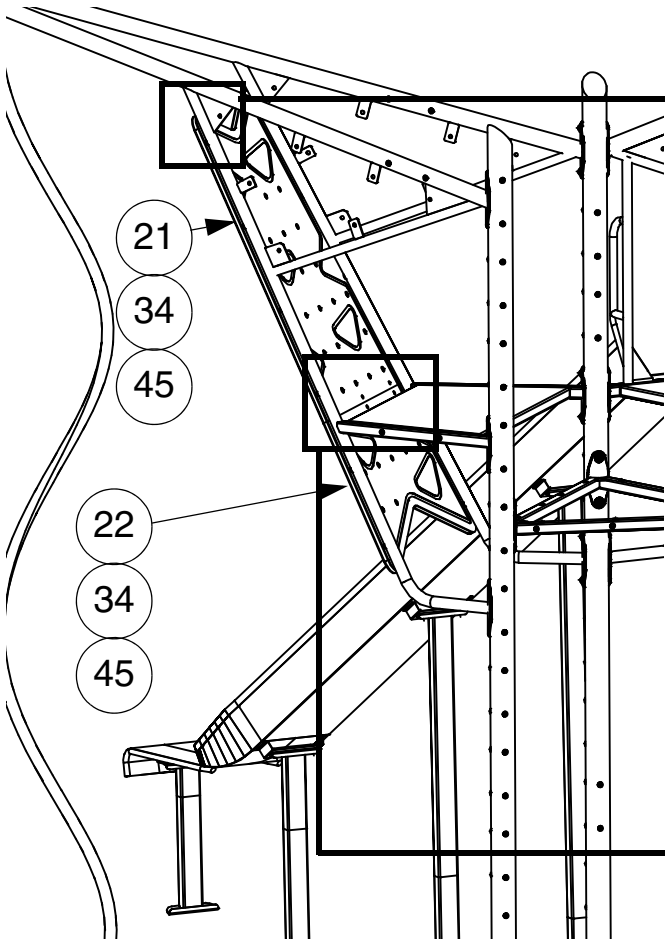


STEP 4

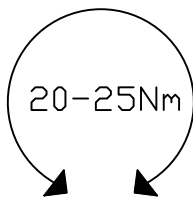
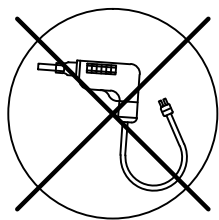
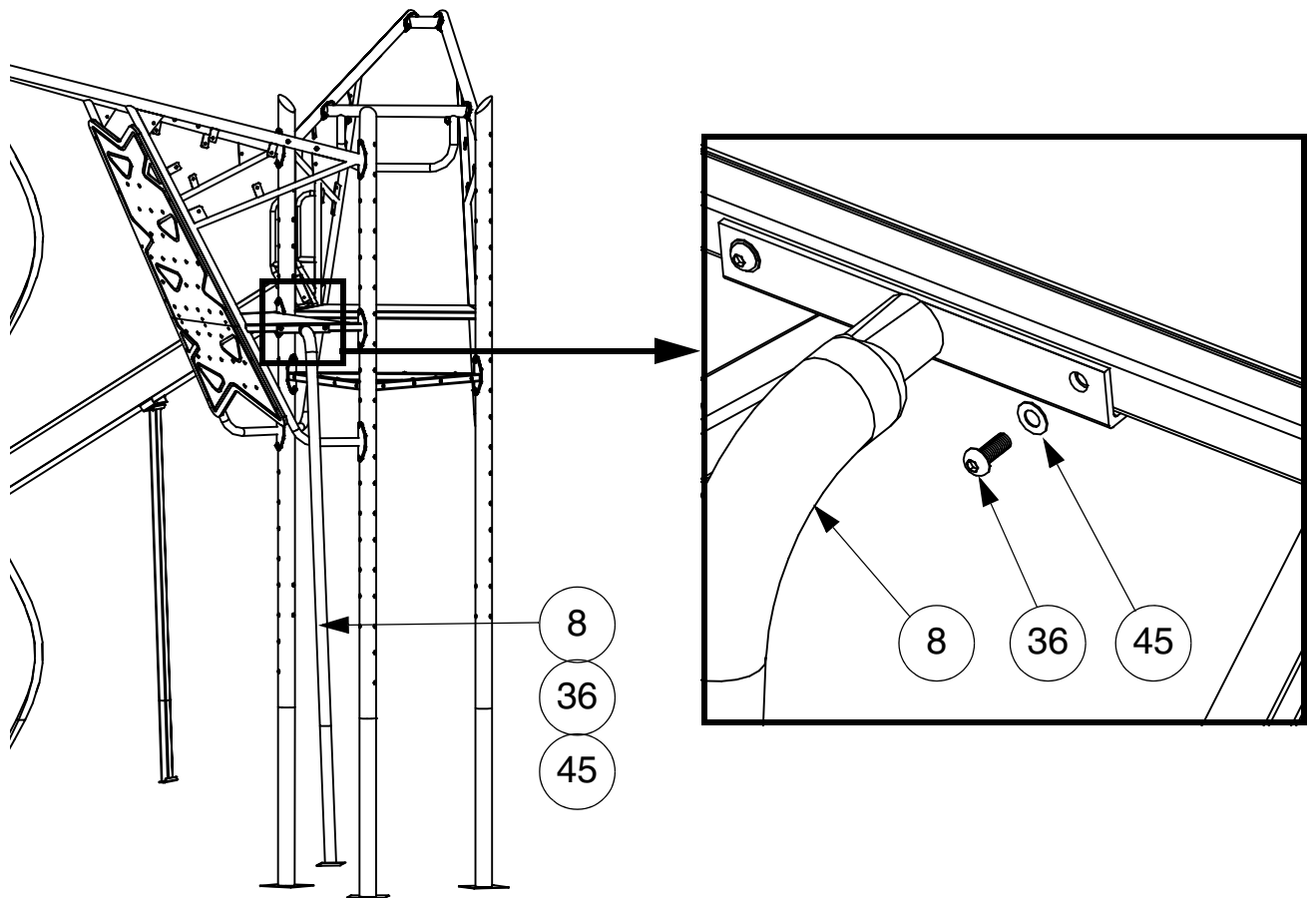




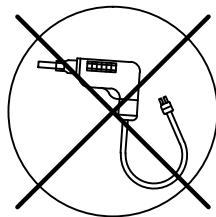
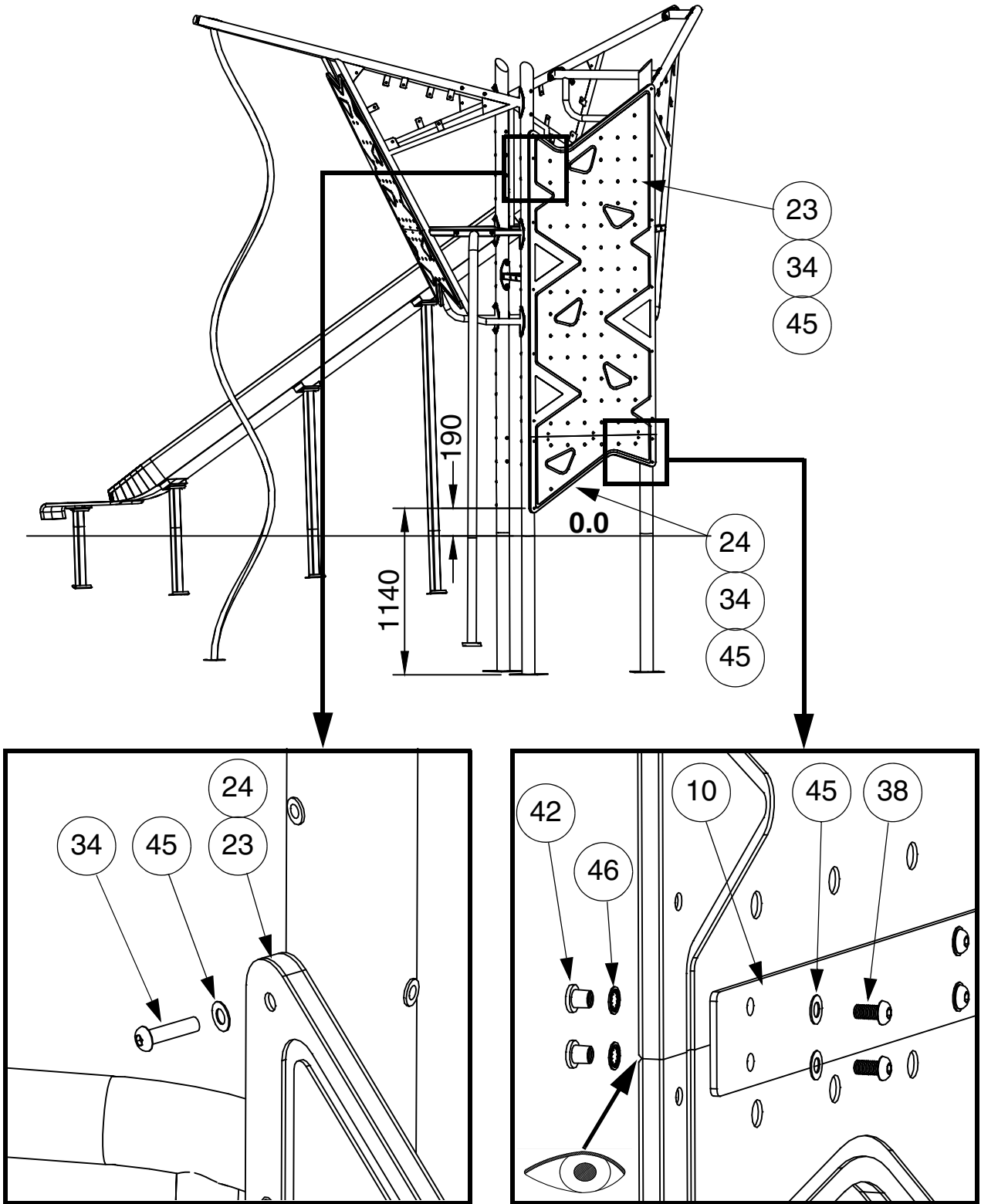
STEP 5



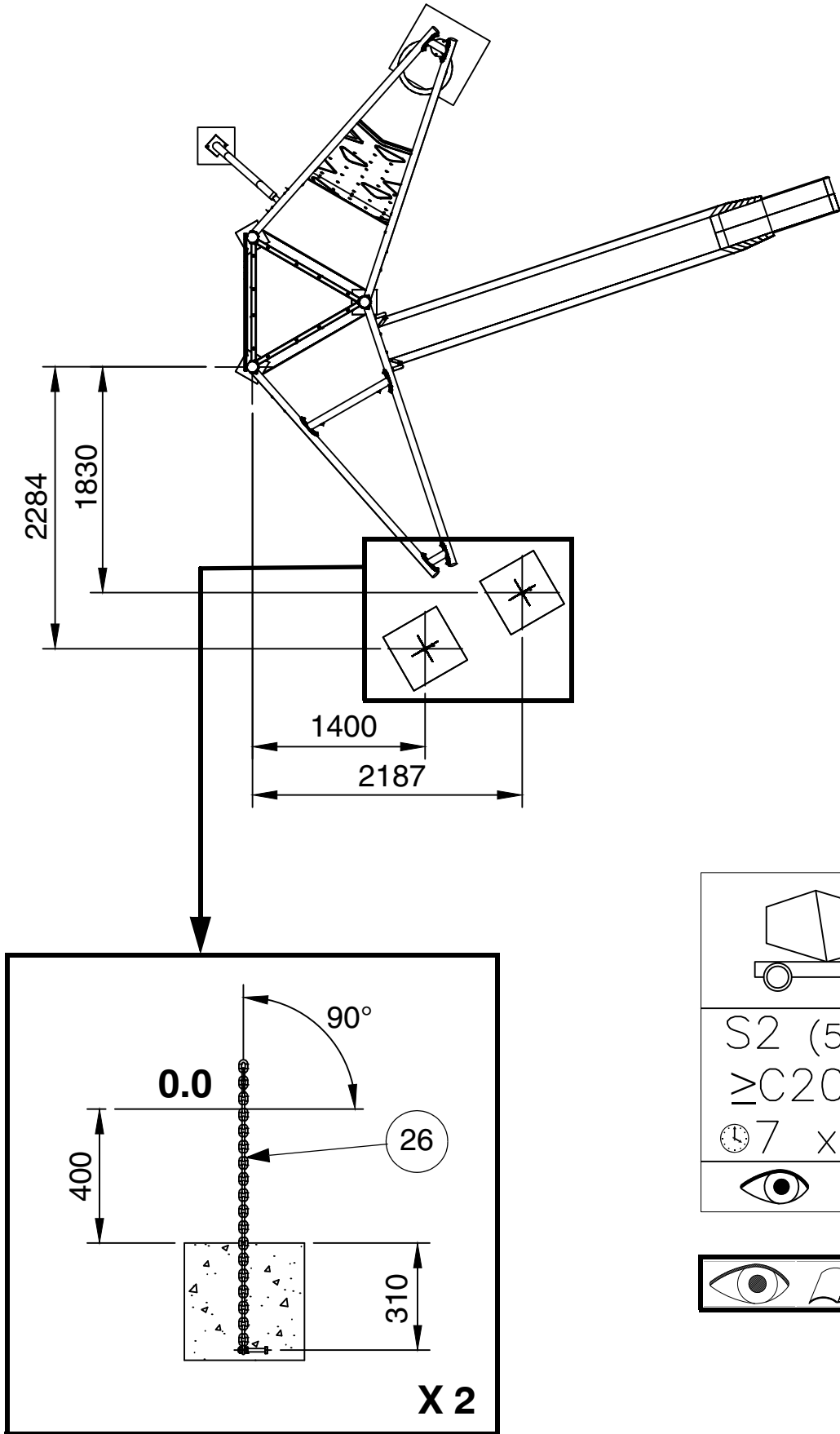
STEP 6



STEP 7



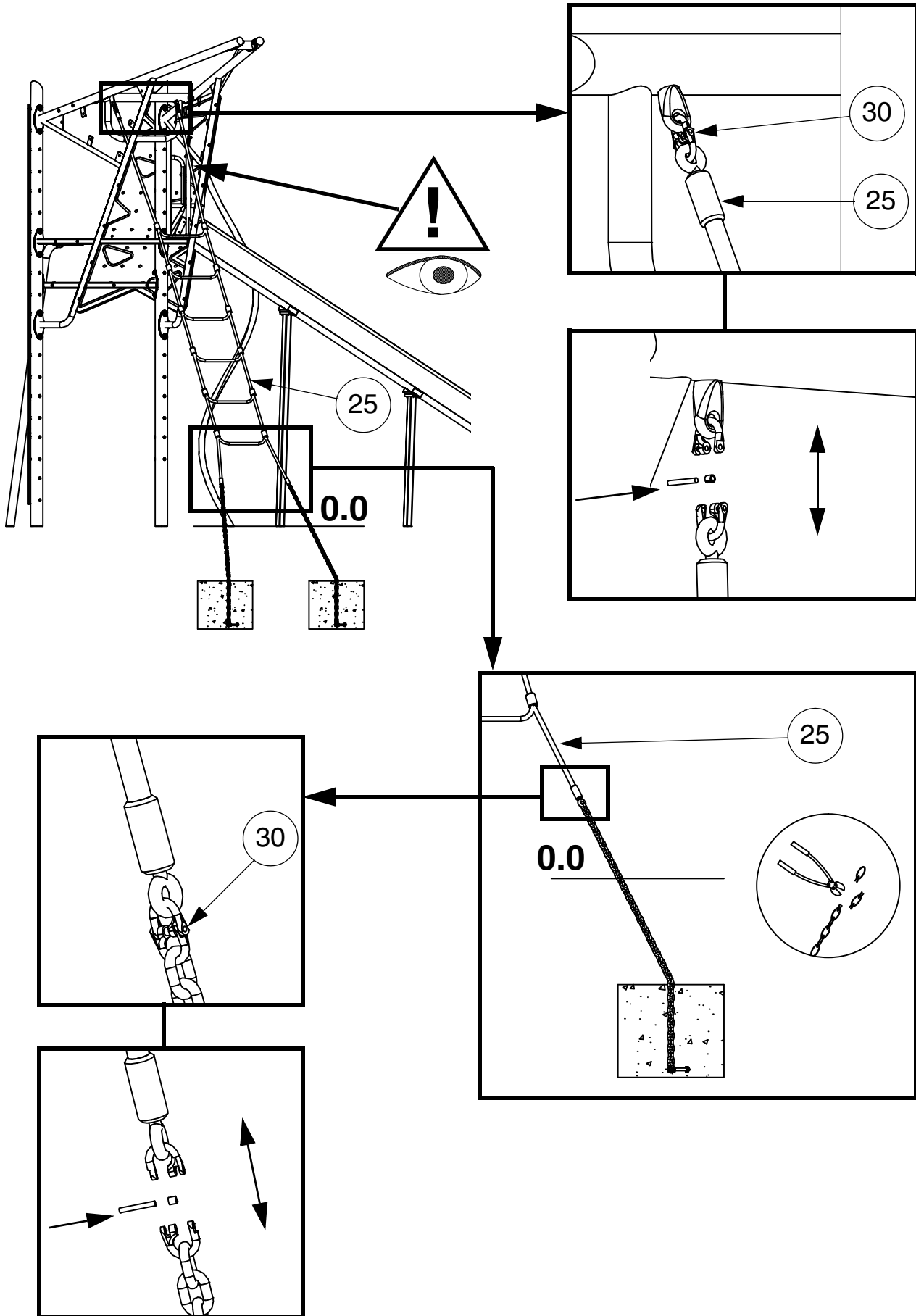
STEP 8



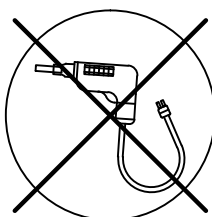
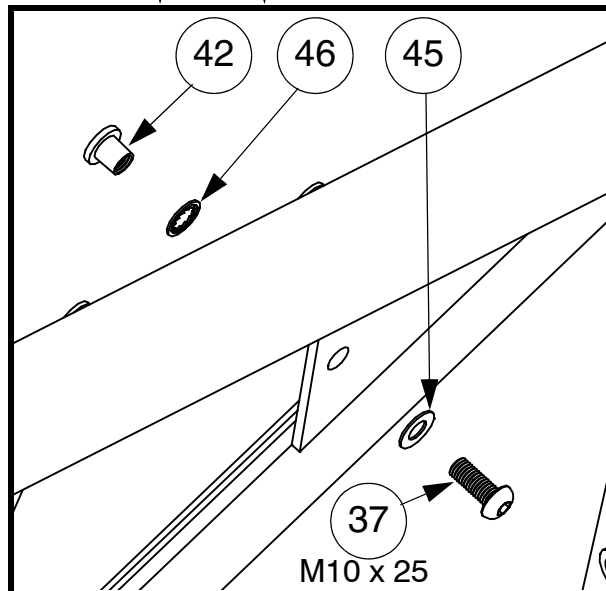
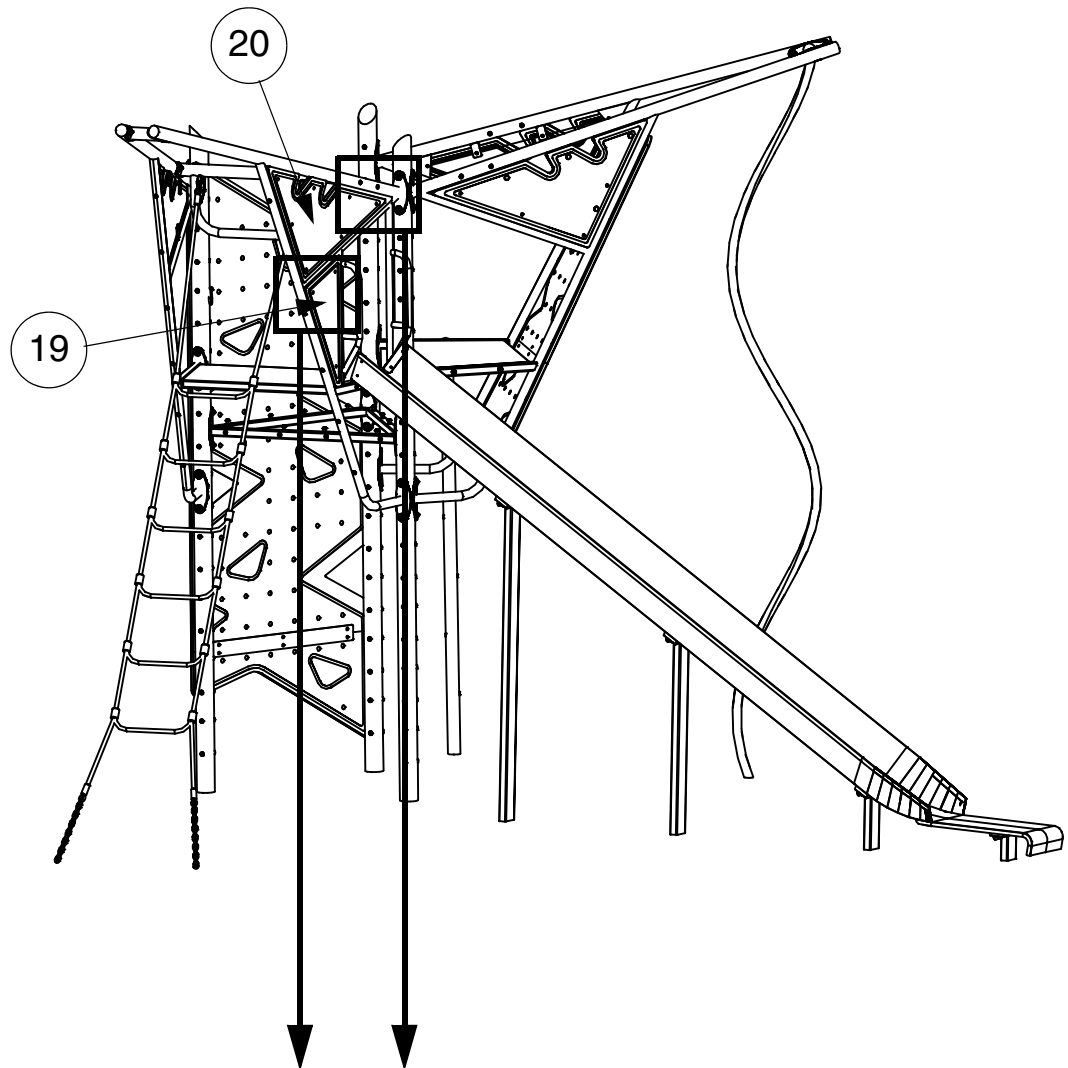
S2 (50mm)	
≥C20-25	
	7 x 24h
	101

		4
--	--	----------

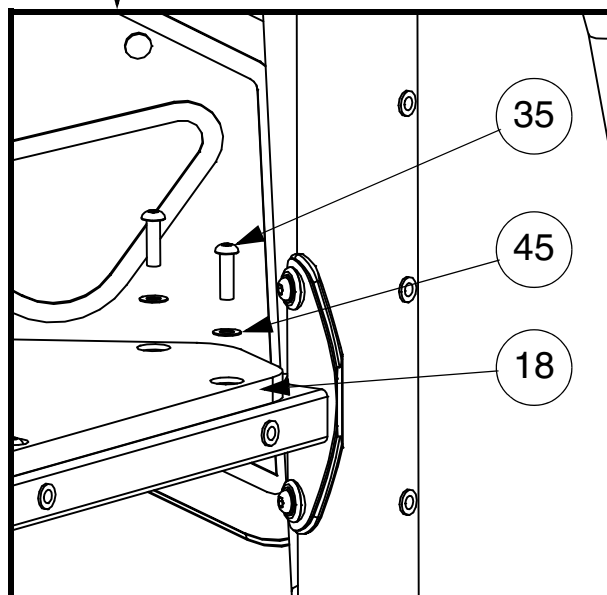
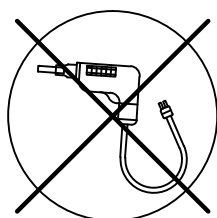
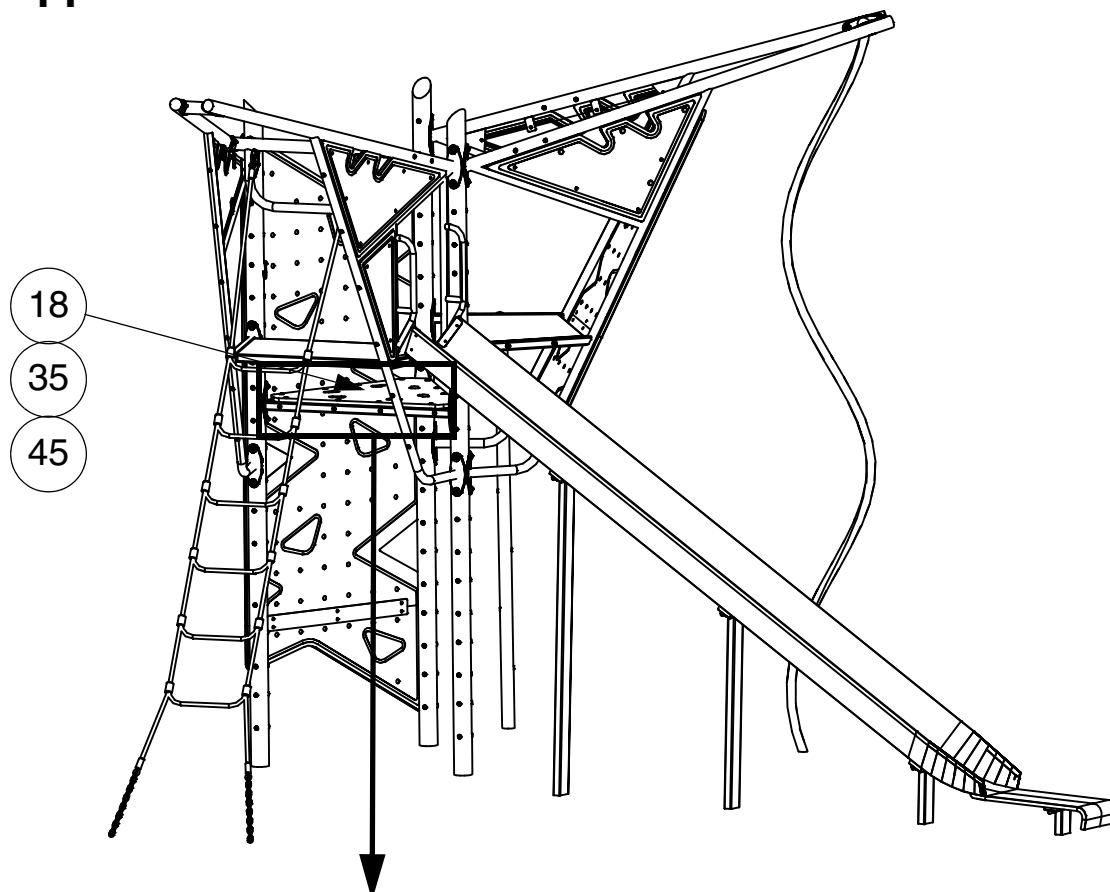
STEP 9



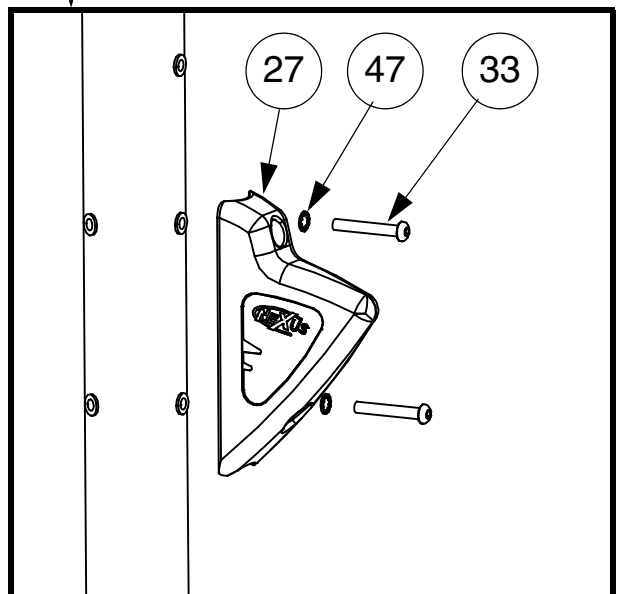
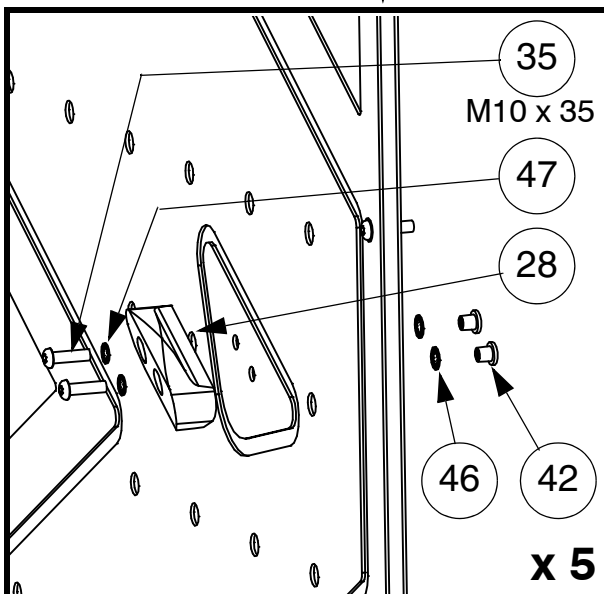
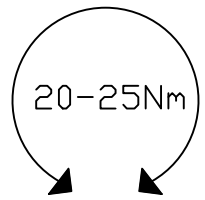
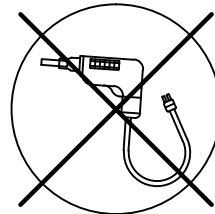
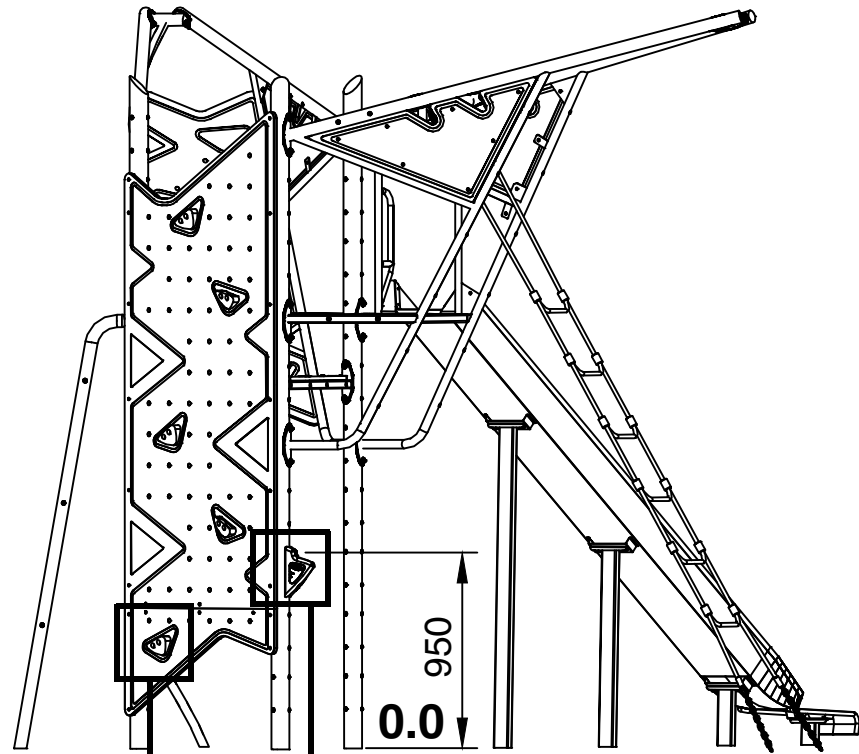
STEP 10



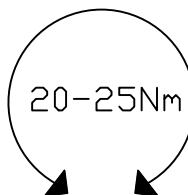
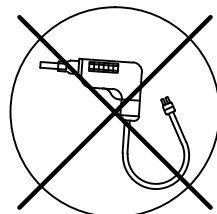
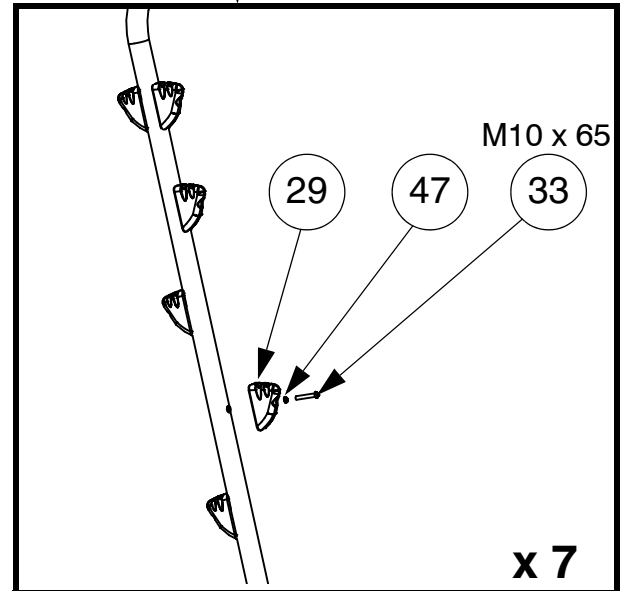
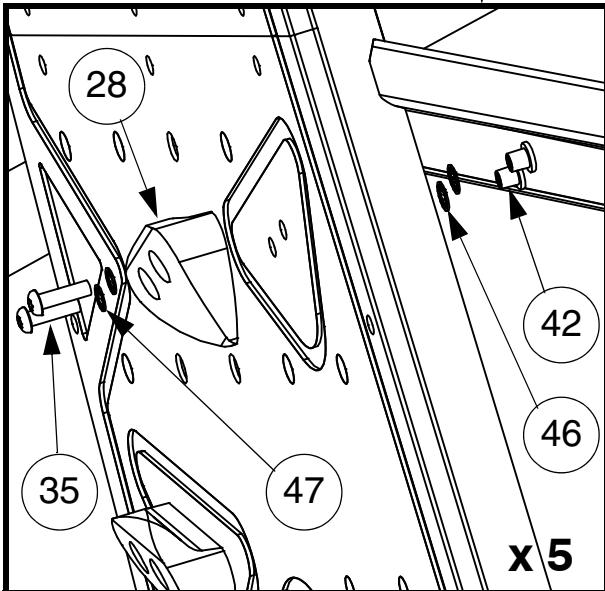
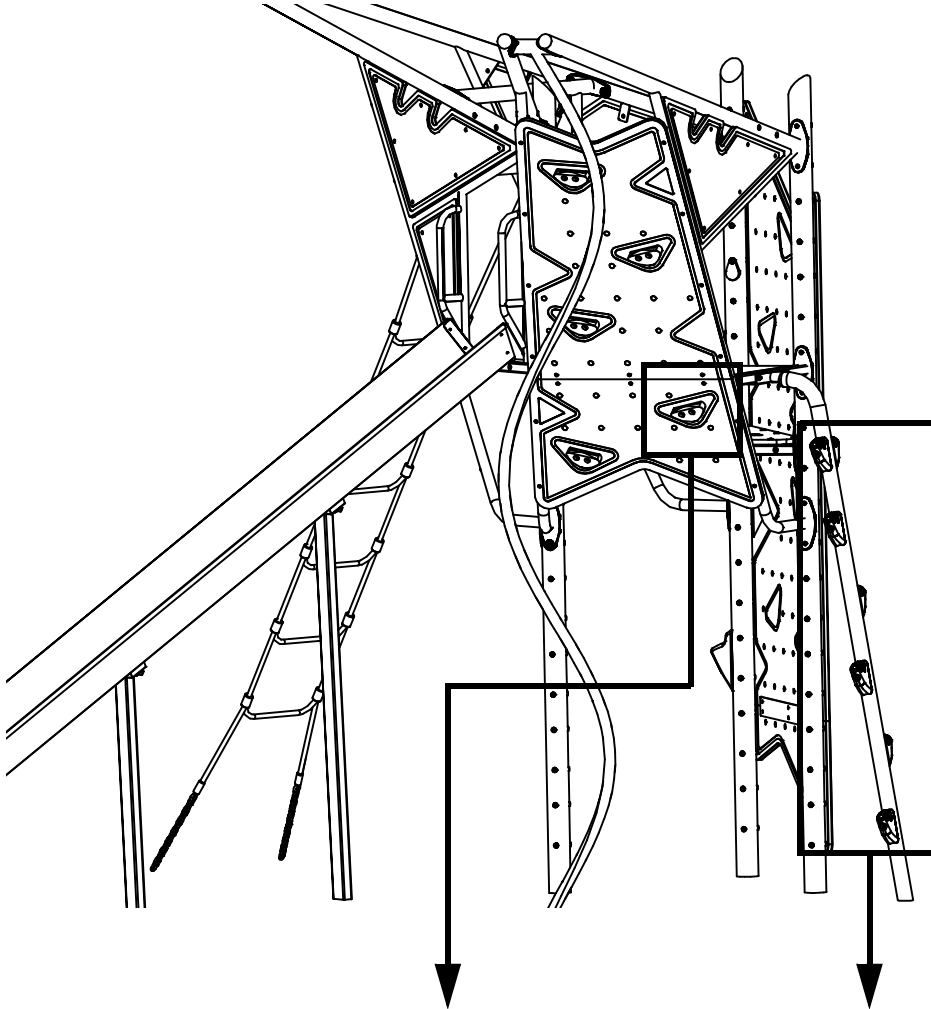
STEP 11



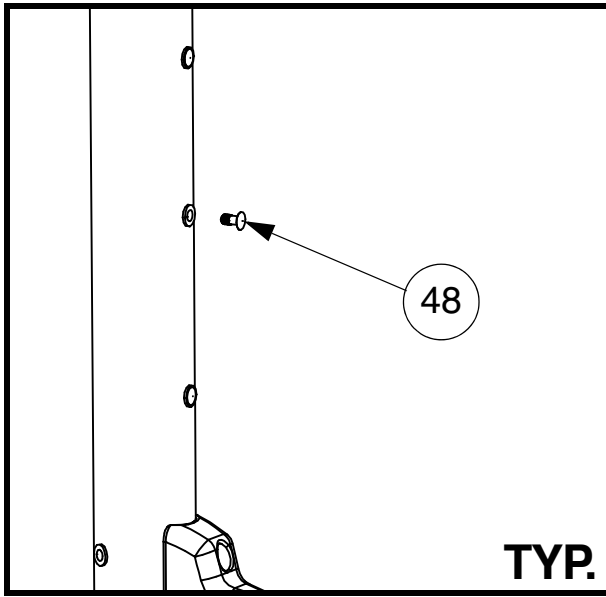
STEP 12

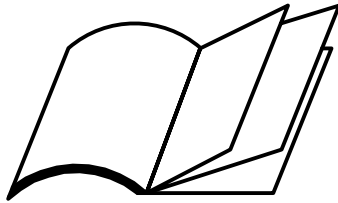


STEP 13

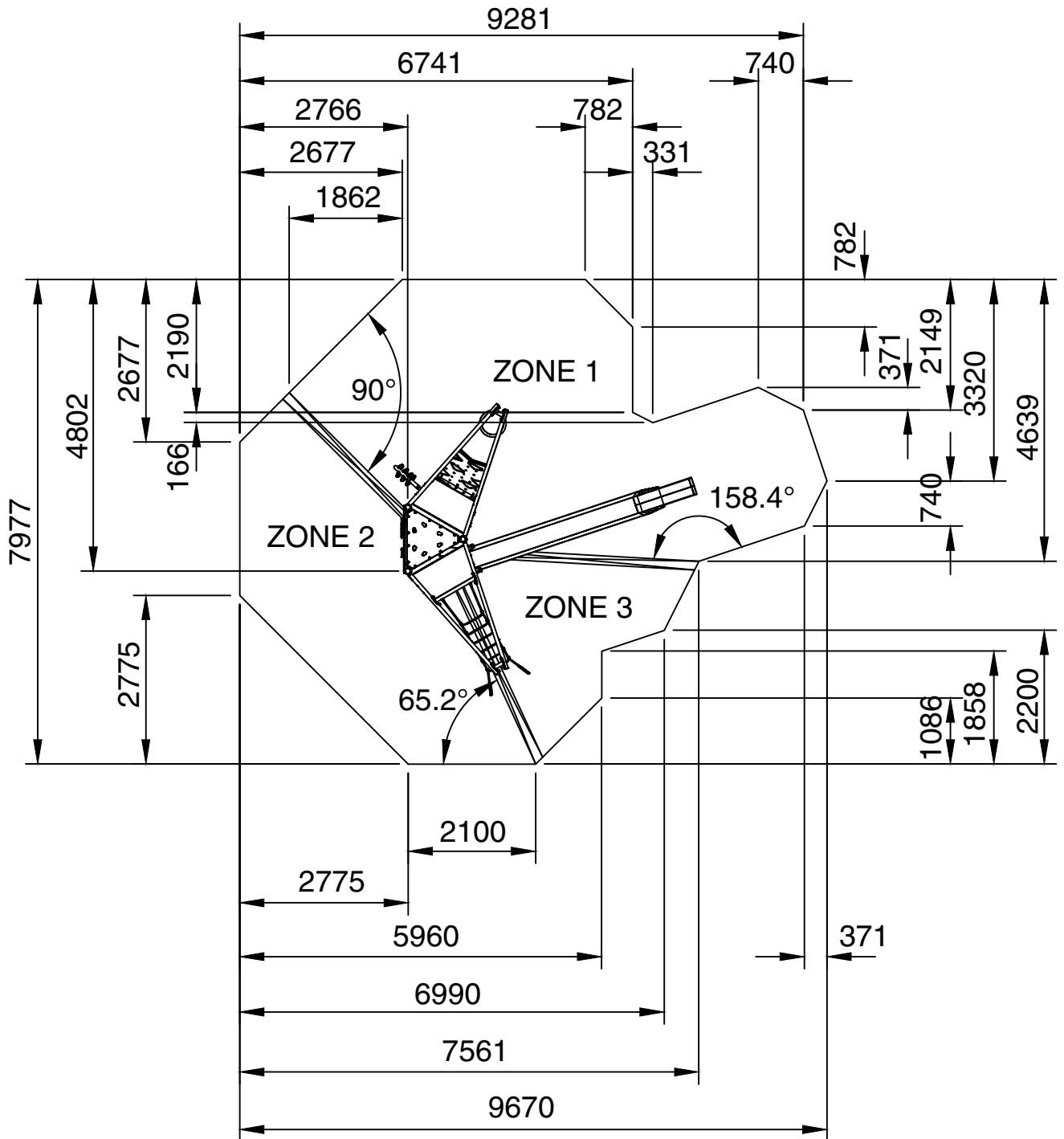


STEP 14



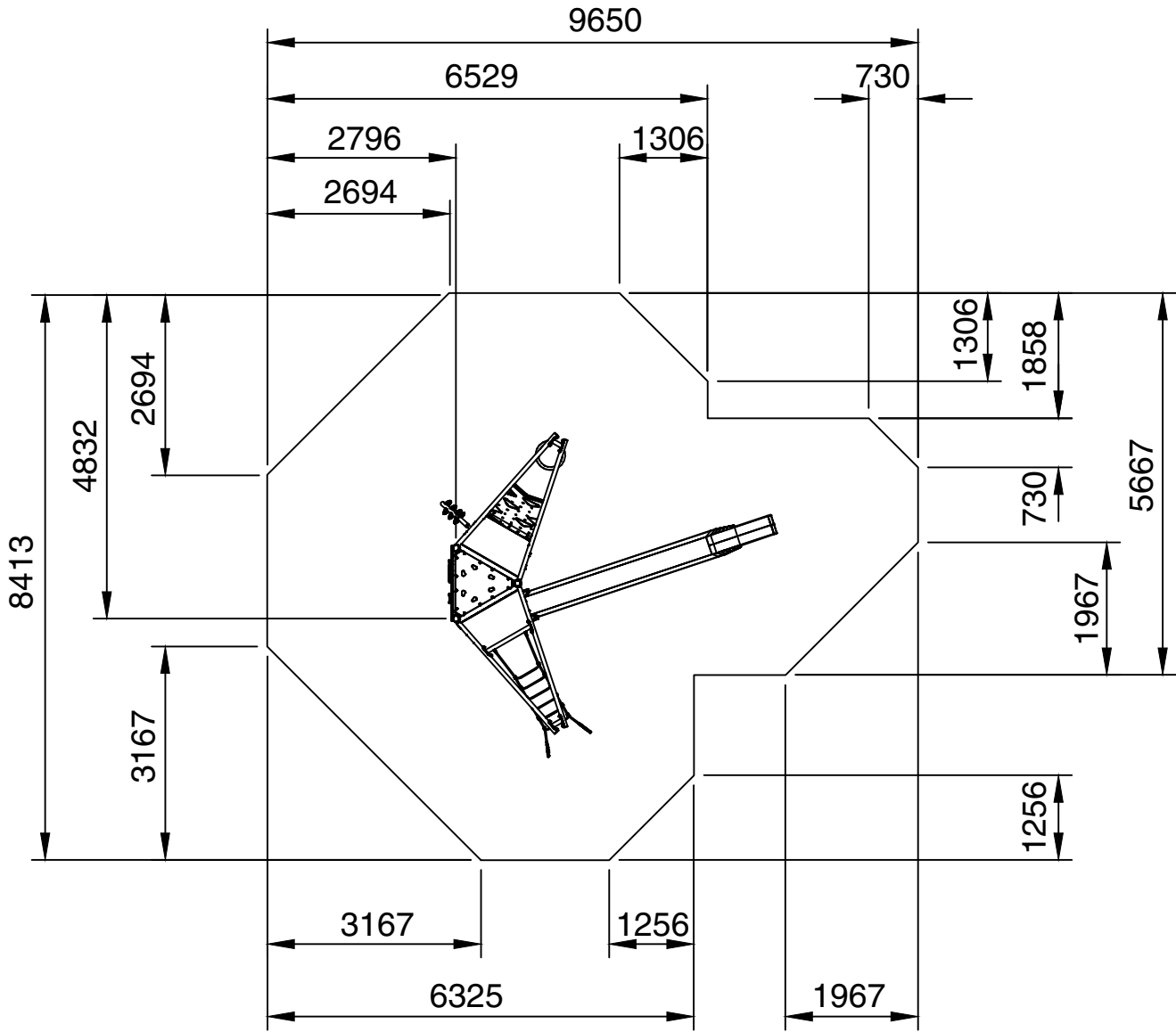


Appendix A:

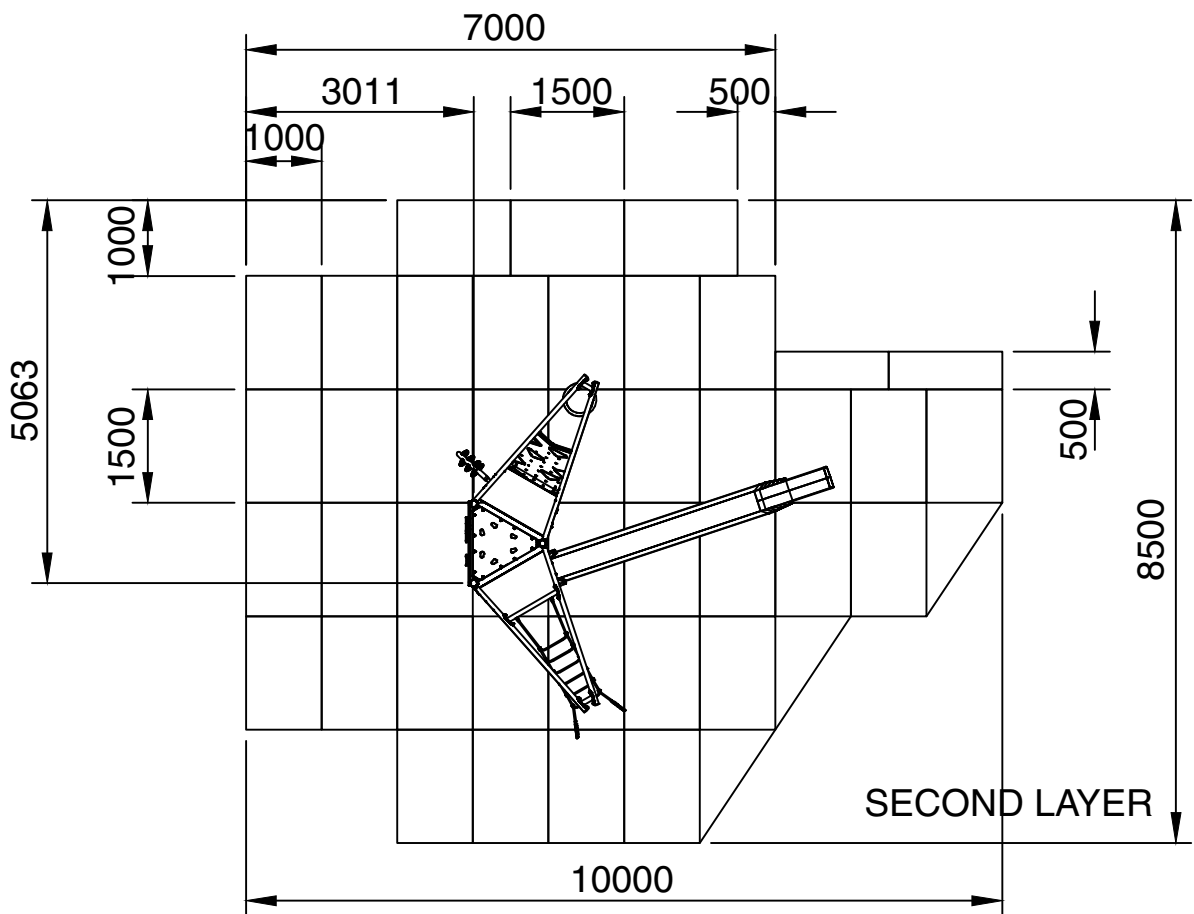
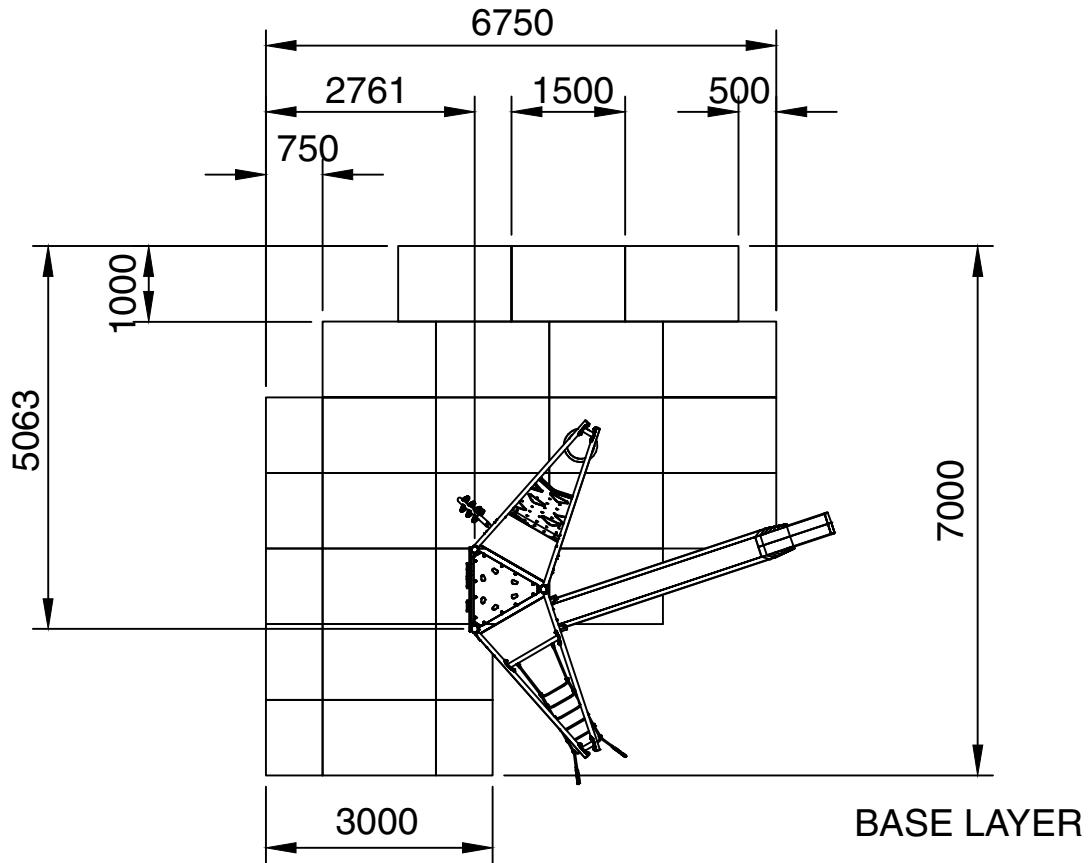


ZONE 1 FREEFALL HEIGHT = 3M
 ZONE 2 FREEFALL HEIGHT = 2.7M
 ZONE 3 FREEFALL HEIGHT = 2.2M

TYPE 3 SYNTHETIC  144



TYPE 1/2 LOOSEFILL  144



TYPE 5 GRASSMATT FR  144

